

# OPULENCE "His" 39 In ABOVE COUNTER BASIN

Cat. No  
4-362, 363



Faucet not included

W: 39-1/2"  
D: 19-3/8"  
H: 4-3/4"

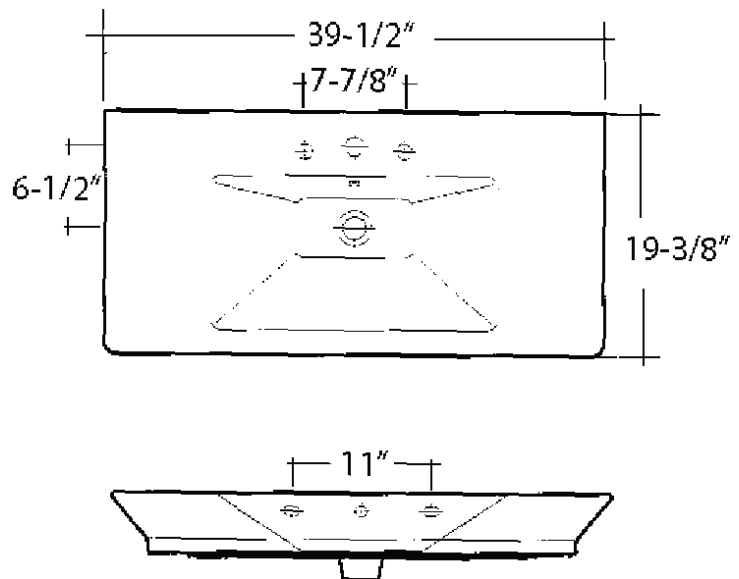
## Features:

- ▶ Fine fire clay for durability
- ▶ Transitional style
- ▶ Rectangular basin
- ▶ Available pre-drilled for 1-hole faucet (362) or 8" widespread (363)

## Colors:

WH White

**Compliance Certification**  
Meets or exceeds the following specifications: ASME A112.19.1 2008 AND CSA B45.2-08 for Vitreous China fixtures.



## Interior Dimensions:

Basin Interior:	18-1/2" x 12"
Basin Depth:	4-1/2"
Back of basin to center of faucet:	2-3/8"
Back of basin to center of drain:	9"
Mount holes cc:	10-5/8"
Faucet and spout holes:	1 1/4"

Dimensions of fixture are nominal and may vary within the range of tolerances established by ASME Standard A112.19.2. Dimensions and specifications subject to change without notice.